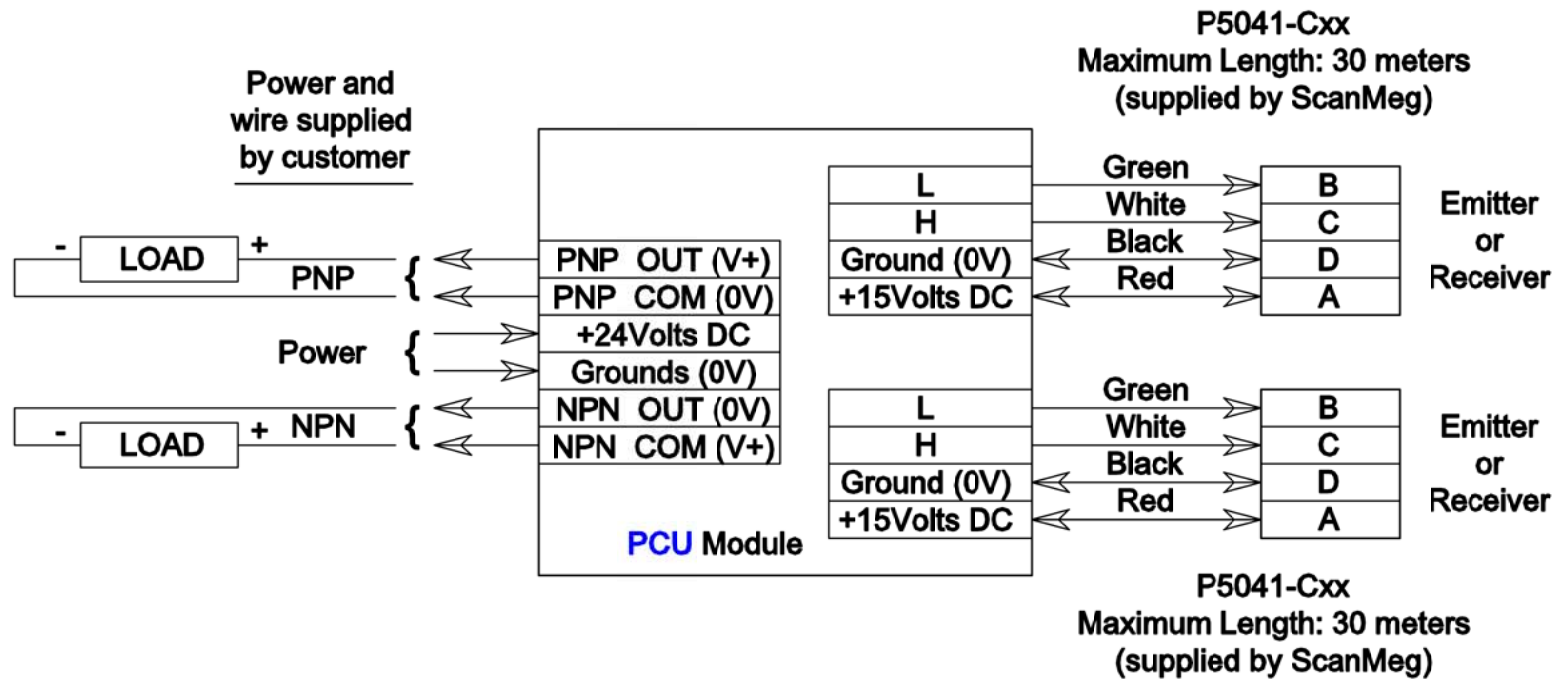


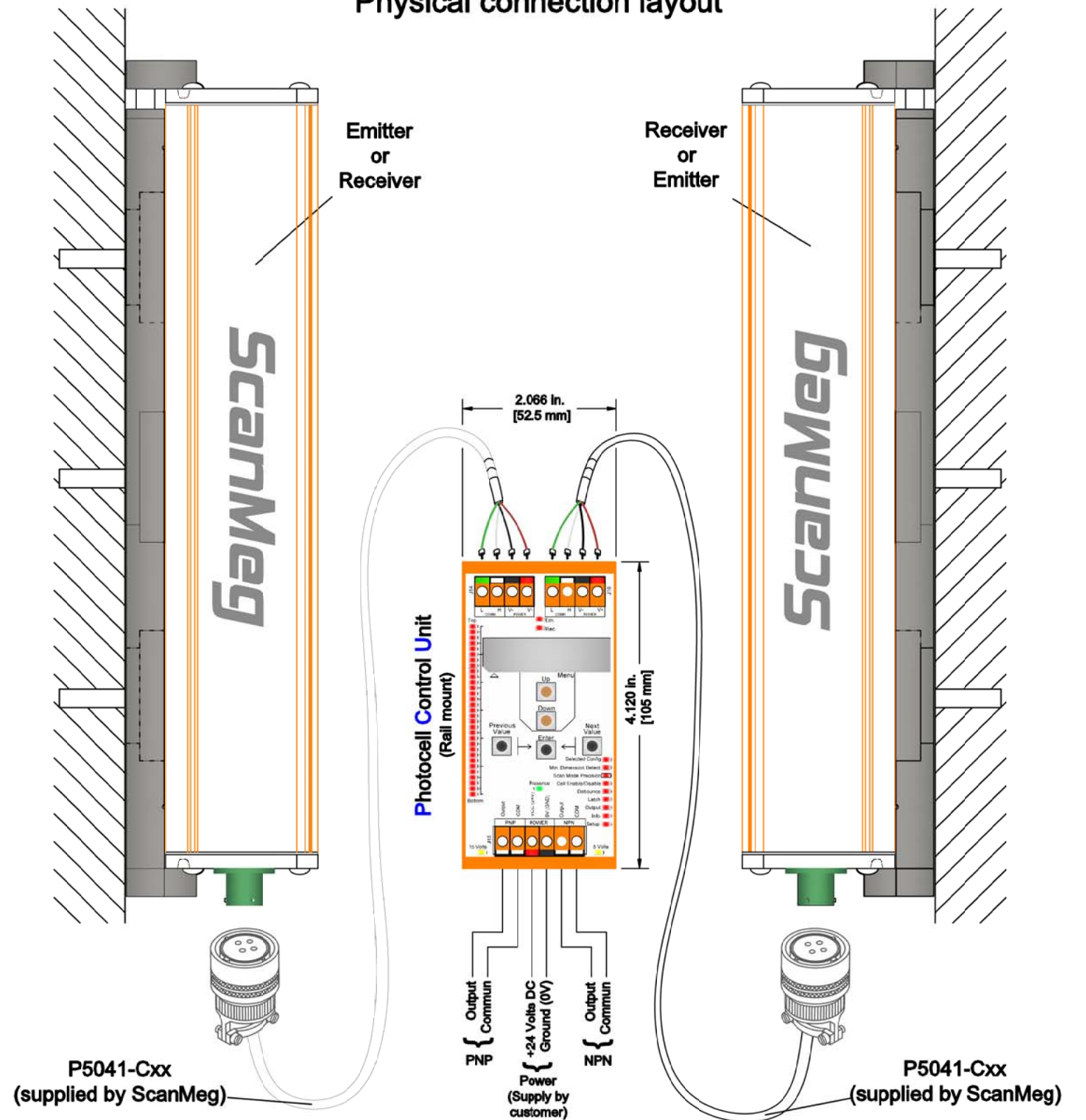
Interconnection schematic



Technical data :

Input Voltage:	24 Volts DC
Current:	0.25 Amp.
In rush current:	0.4 Amp.
Operating distance:	
Low intensity:	7 ft (2 m)
High intensity:	25 ft (8 m)
Scan per second:	
Coarse:	1500
Standard:	800
Fine:	400
Output:	PNP and NPN (max. 0.2 Amp. drive)

Physical connection layout



CUSTOMER:

ScanMeg Inc.

TITLE:

Type P Electrical connection

ScanMeg

3517 Boul. Grande-Allée
Boisbriand (Quebec)
J7H 1H5 (CANADA)
TEL: (450) 419-4555
FAX: (450) 419-4542

E-mail: info@scanmeg.com

WARNING

This document cannot be reproduced or distributed in part or in whole without written consent by ScanMeg

Reference:

MODIFICATIONS

DESIGN BY:	B.C.	DRAW BY:	B.C.	DESCRIPTION:	P150, P225, P300, P450, P600
DATE (dd/mm/yy):	28/04/2011	VERIFY BY:	B.C.	JOB NUMBER:	-
				DRAWING NUMBER:	5041 - E - 01 - 0 - E